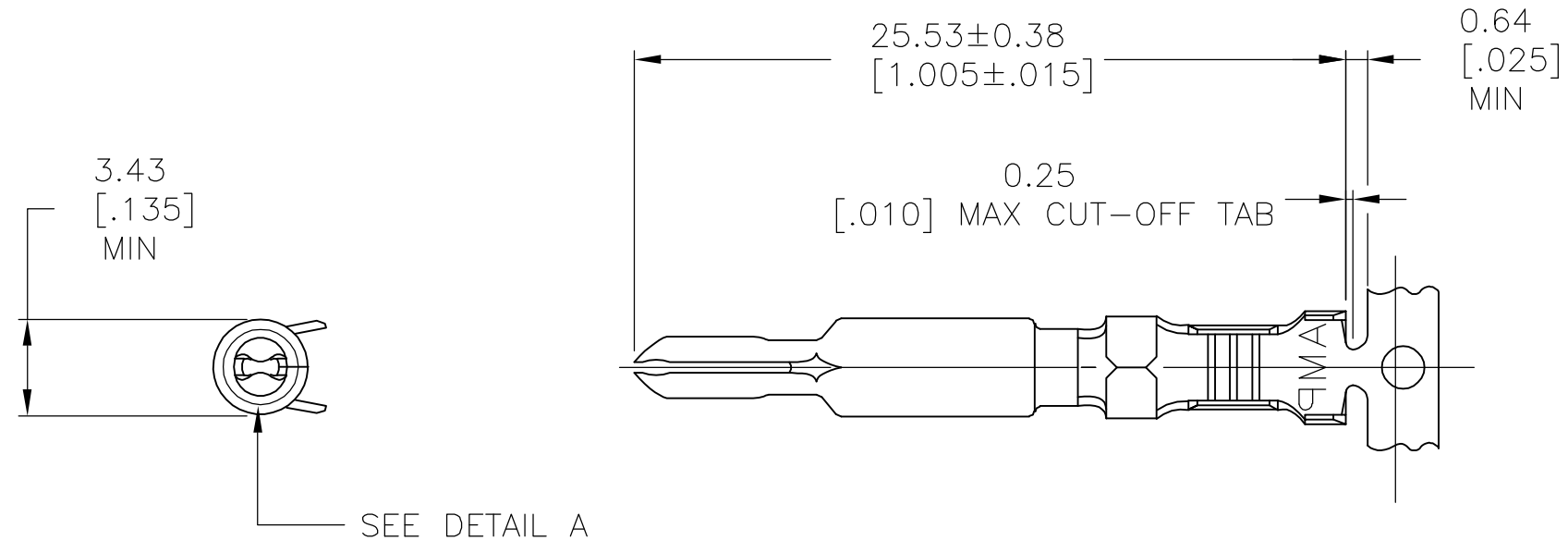
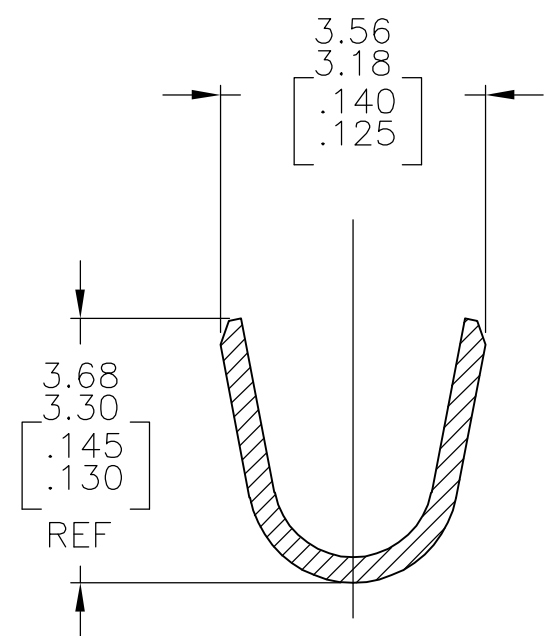
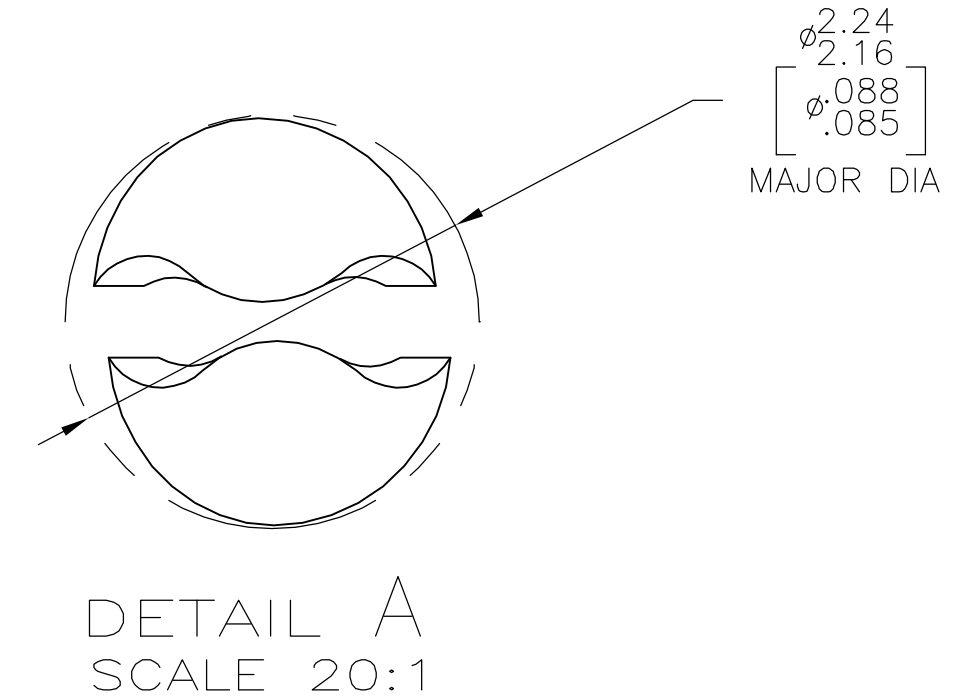
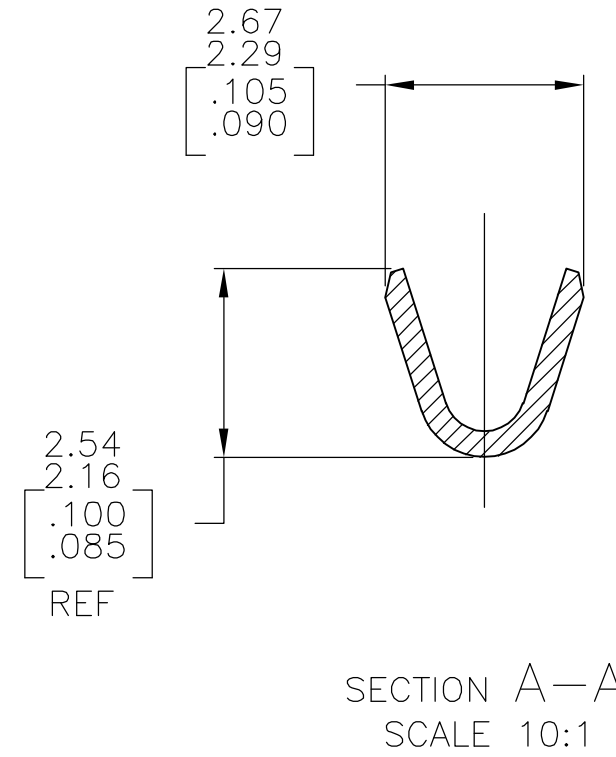
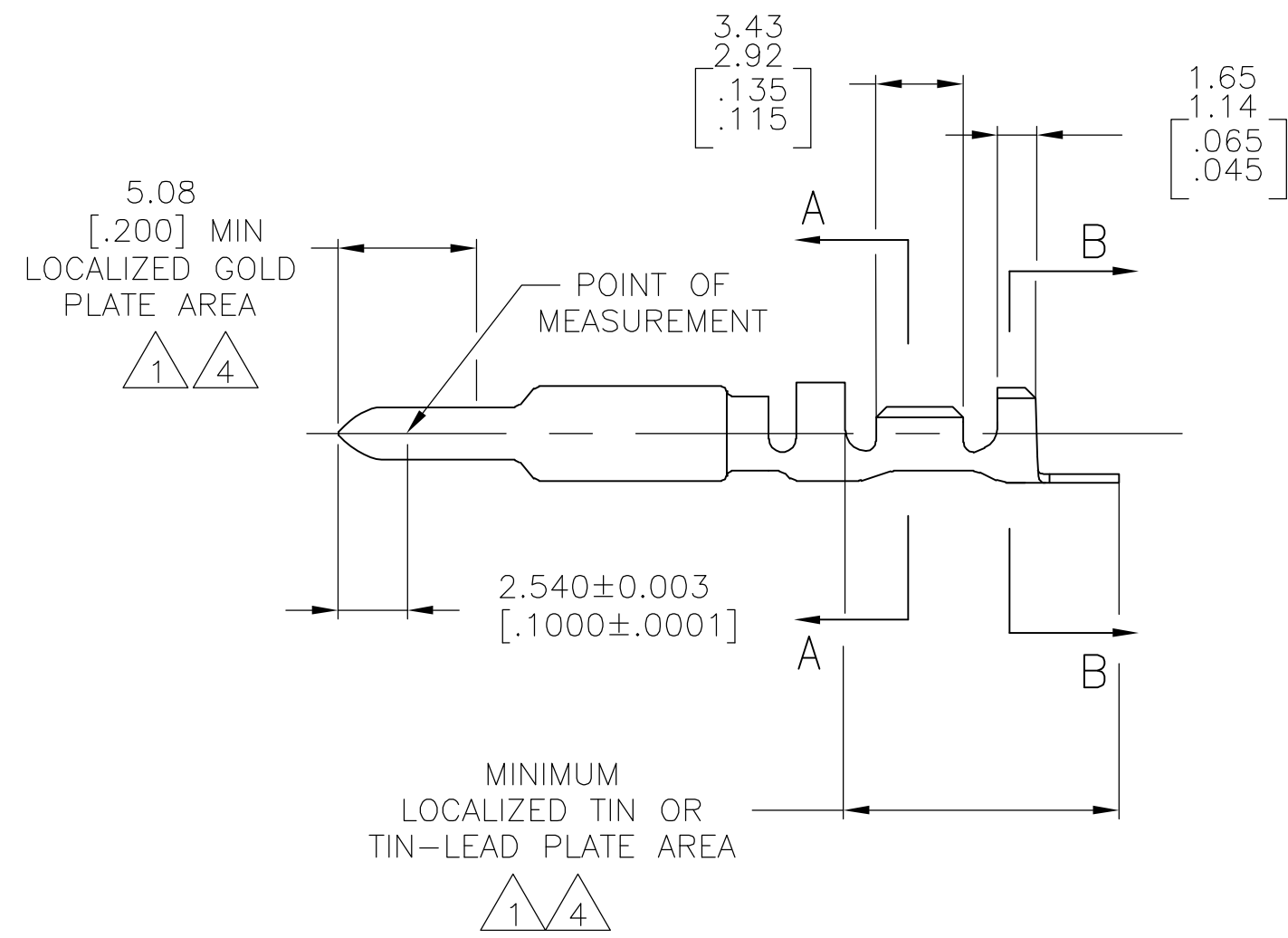


THIS DRAWING IS UNPUBLISHED. RELEASED FOR PUBLICATION  
 © COPYRIGHT BY TYCO ELECTRONICS CORPORATION. ALL RIGHTS RESERVED.

LOC	DIST	REVISIONS			
P	LTR	DESCRIPTION	DATE	DWN	APVD
CM	00	F	EC 0G3B 0215 05	22SEP05	BSV RCJ



- 1. 0.00076[.000030] MIN GOLD AT POINT OF MEASUREMENT IN THE LOCALIZED GOLD PLATE AREA, 0.00127[.000050] MIN TIN-LEAD IN TIN-LEAD PLATE AREA, 0.00127[.000050] MIN NICKEL UNDERPLATE ON ENTIRE CONTACT.
- 2. WIRE RANGE: 0.2-1mm<sup>2</sup> [24-18 AWG] INSULATION RANGE: 1.02-2.54[.040-.100] DIA.
- 3. DIMENSIONS IN BRACKETS ARE IN INCHES.
- 4. 0.00076[.000030] MIN GOLD AT POINT OF MEASUREMENT IN THE LOCALIZED GOLD PLATE AREA, 0.00127[.000050] MIN TIN IN TIN PLATE AREA, 0.00127[.000050] MIN NICKEL UNDERPLATE ON ENTIRE CONTACT.



GOLD	4	0.30 [.012]	BRASS	1-770009-0
GOLD	1	0.30 [.012]	BRASS	770009-2
PRE-TIN		0.30 [.012]	BRASS	770009-1
FINISH			MATERIAL	PART NUMBER

METRIC

THIS DRAWING IS A CONTROLLED DOCUMENT.

DIMENSIONS: mm [INCHES]	TOLERANCES UNLESS OTHERWISE SPECIFIED:	DWN S. CARPENTER 20MAY03	Tyco Electronics Corporation Harrisburg, PA 17105-3608
	0 PLC ± -	CHK C. JONES 20MAY03	
	1 PLC ± -	APVD C. JONES 20MAY03	
	2 PLC ± -	PRODUCT SPEC	
	3 PLC ± -	NAME	PIN, UNIVERSAL MATE-N-LOK(TM) II
	4 PLC ± -	APPLICATION SPEC	
MATERIAL SEE TABLE	FINISH SEE TABLE	WEIGHT -	SIZE A2 CAGE CODE 00779 C=770009
		CUSTOMER DRAWING	RESTRICTED TO -

SCALE 4:1 SHEET 1 of 1 REV F