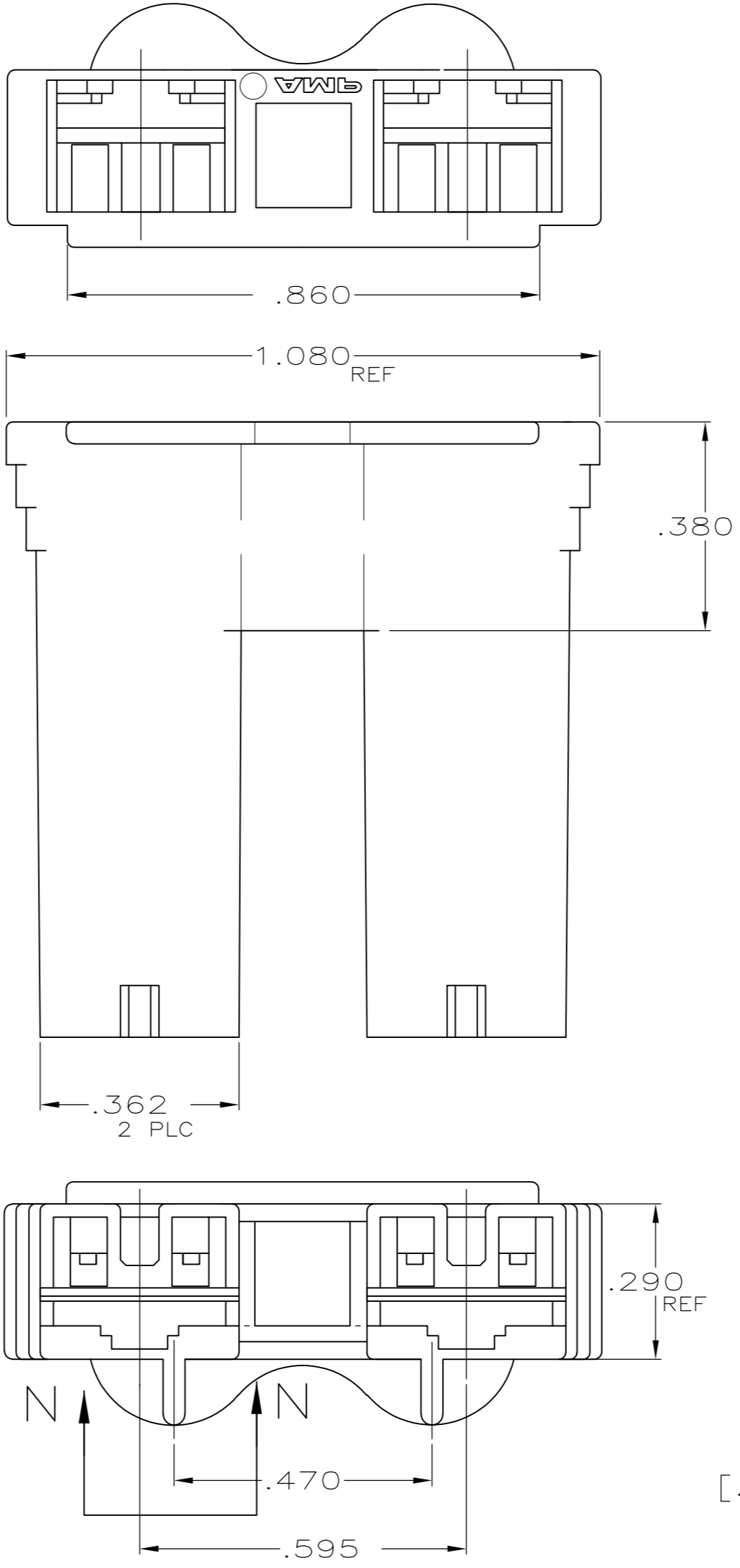
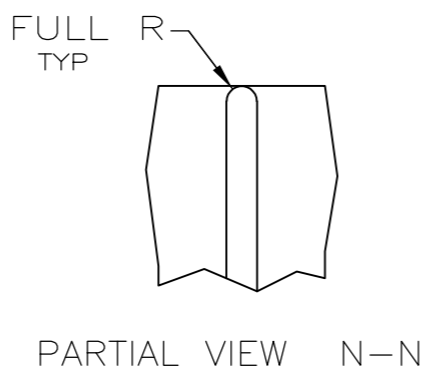


THIS DRAWING IS UNPUBLISHED. RELEASED FOR PUBLICATION
 © COPYRIGHT BY TYCO ELECTRONICS CORPORATION. ALL RIGHTS RESERVED.

LOC	DIST	REVISIONS			
P	LTR	DESCRIPTION	DATE	DWN	APVD
AF	50	M4	REVISED PER ECR-07-019419	21AUG07	HMR EH



- 1 GLOW WIRE APPROVED; CONTACT TE ENGINEERING FOR SPECIFICATION
- 2 ALL WALL THICKNESSES ARE BETWEEN .016 INCH (0.4mm) AND .118 INCH (3.0mm)



NOTES	COLOR	MATERIAL	PART NO
1	NATURAL	NYLON 6, UL94-V2	1-521229-1
	RED	NYLON 66/6, UL94-V0	521229-2
	NATURAL	NYLON 66/6, UL94-V0	521229-1

THIS DRAWING IS A CONTROLLED DOCUMENT.		DWN JR RUTH 05NOV99	Tyco Electronics Corporation Harrisburg, PA 17105-3608	
DIMENSIONS: INCHES	TOLERANCES UNLESS OTHERWISE SPECIFIED:	CHK M FEHER 05NOV99	NAME D BRATINA	
	0 PLC ± -	APVD D BRATINA 05NOV99	PRODUCT SPEC	
	1 PLC ± -	APPLICATION SPEC	114-2074	
MATERIAL SEE TABLE	FINISH SEE TABLE	WEIGHT -	SIZE A2	CAGE CODE 00779
CUSTOMER DRAWING			DRAWING NO 521229	RESTRICTED TO -
			SCALE 4:1	SHEET 1 of 1
			REV M4	

521229