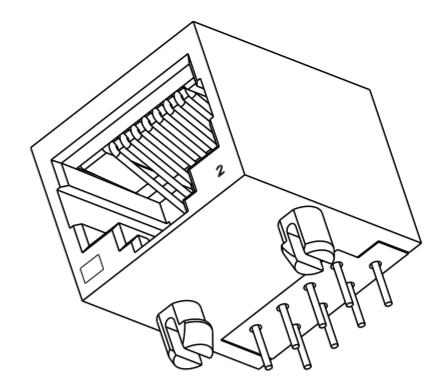
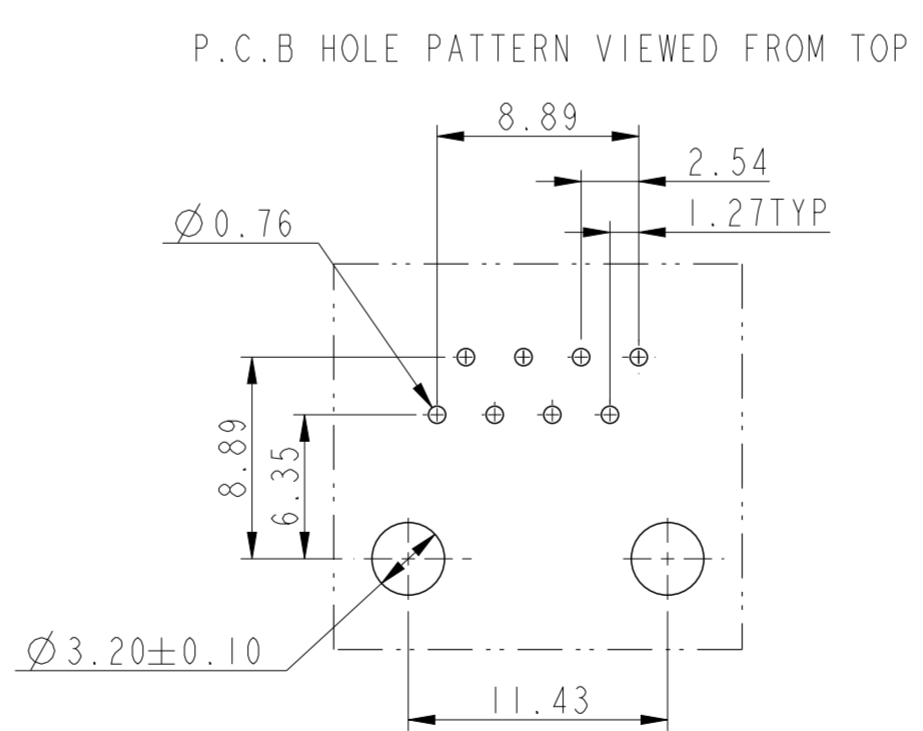
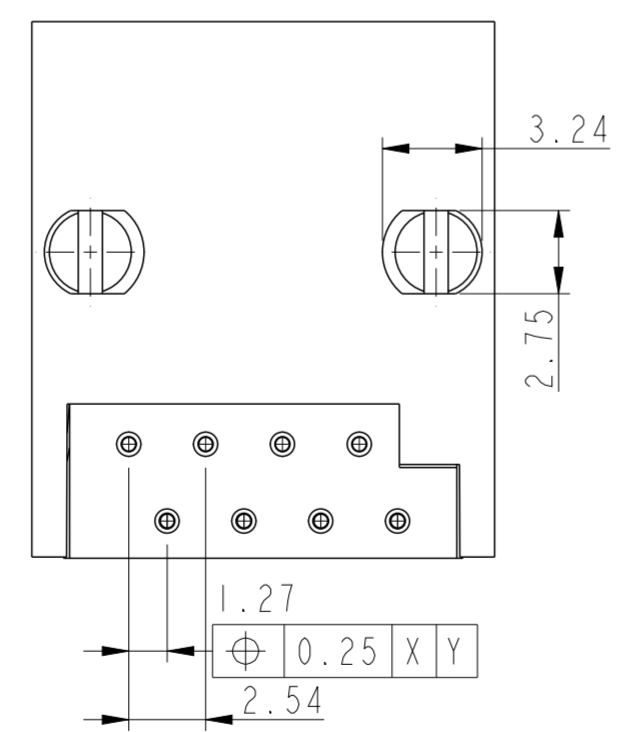
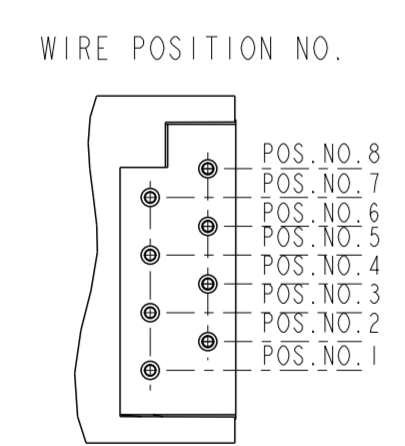
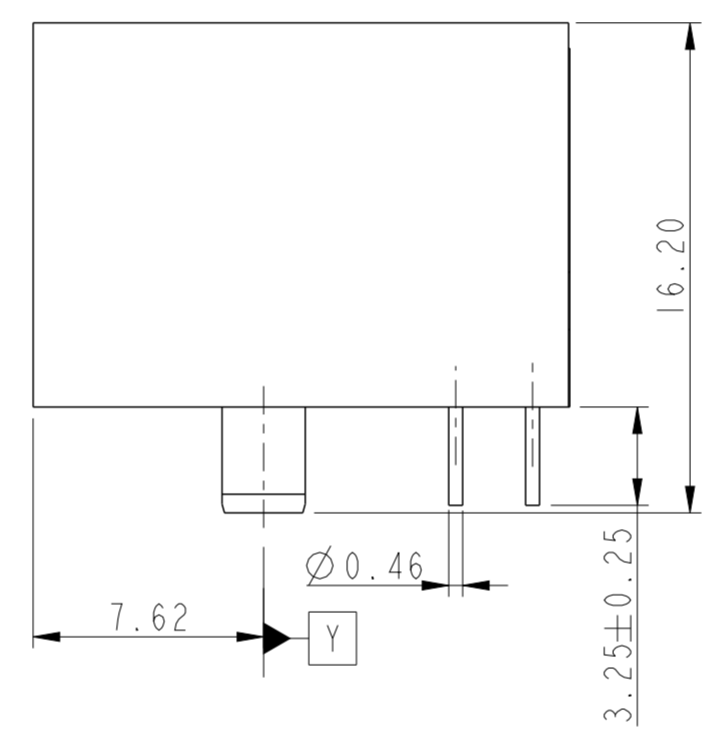
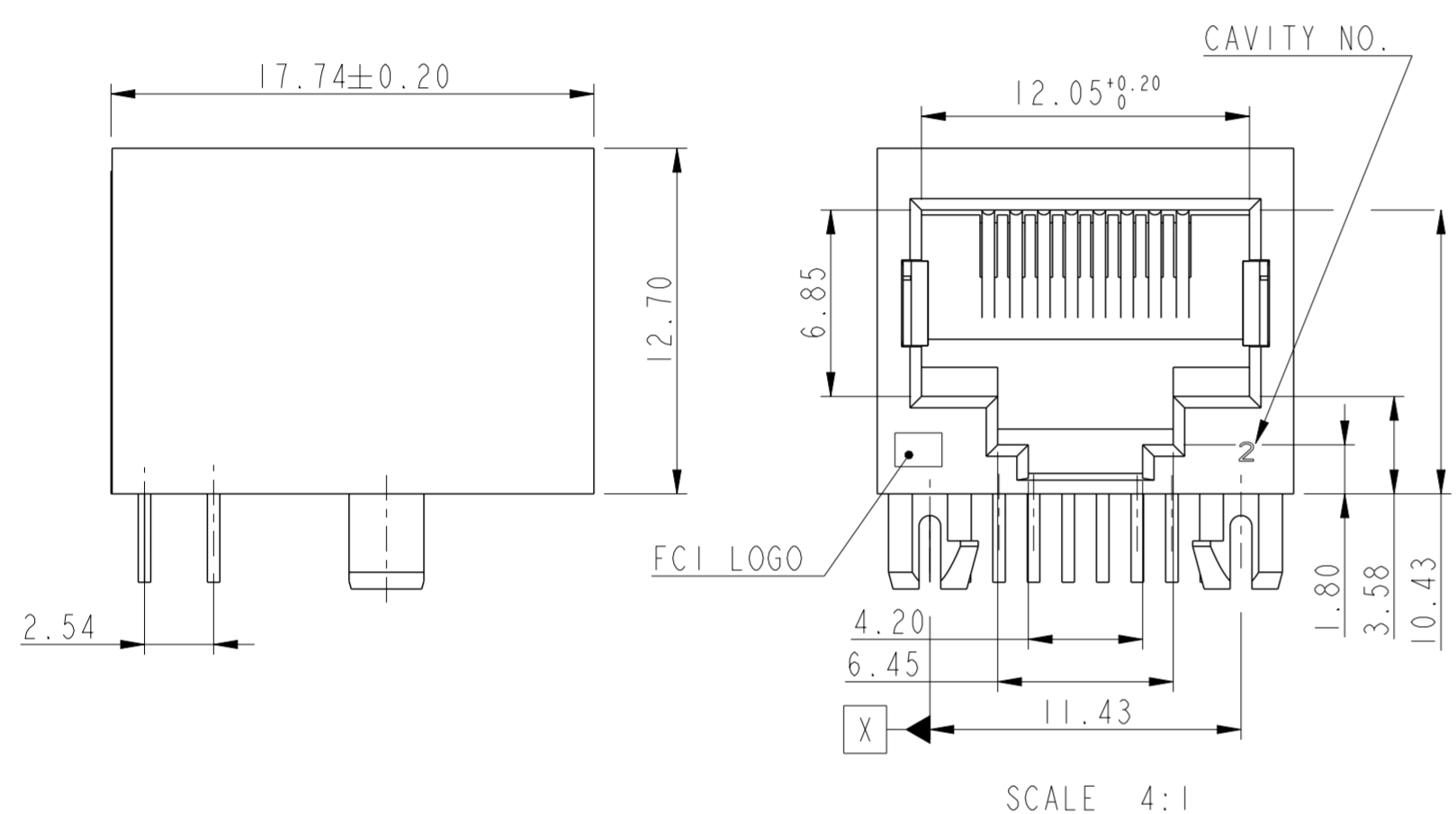
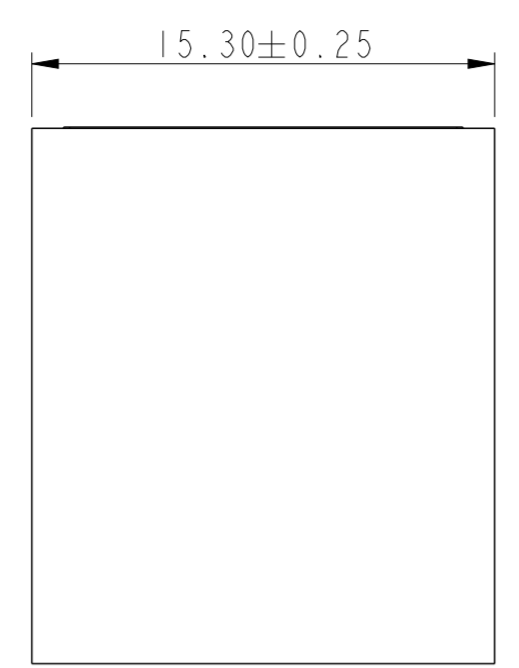


A
B
C
D
E
F



SCALE 2:1

PRODUCT NO. 54602-X08 XXX LF

SHALLOW LATCH SERIES

LEAD FREE

PLATING CODE	
2	0.076µ Au Selective
3F	0.15µ Au
6	0.76µ Au Selective
7	Au Flash Selective
8	1.27µ Au Selective
9	0.38µ Au Selective
9F	0.38µ Au

CONTACTS LOADED	
BLANK-CTS LOADED IN ALL POS.	
001-CTS LOADED IN POS. 4 & 5	

TECHNICAL SPECIFICATION:

Insulation Resistance - 500 M Ohms min.
 Dielectric Strength - 1000 V rms , 60 Hz.
 Contact Resistance - 20 mOhms. max.
 Current Rating - 1.5 amp DC
 Maximum Total Mating Force - 35 N
 Retention Force Between Plug & Jack-22.5 N min.
 Durability - 250 Cycles Min. except Plating Code 2 & 7
 Temperature Range -40/+70°C

MATERIAL

-Housing: Glassfilled Polyester-UL94 V0 BLACK

The housing will withstand exposure to 260-265°C for 5 seconds in a wavesoldering application. Use protective adhesive tape (Kapton or Teflon) or protective metallic devices on the areas which are directly exposed to wave soldering as it is used in classical leaded wave soldering.

-Contact: Ø0.46mm Copper Alloy

Plating:
 Active zone: Gold over nickel on contact area
 Termination zone : Matte Tin over nickel except for XF plating codes.

- 1.LF Products meet European Union Directives and other country Regulations as described in GS-47-0004.
- 2.The Housing will withstand exposure to 260°C peak temperature for 5 sec in a wave solder application with a 1.6mm Min thick circuit board. Slight deformation of snap pegs may occur at 260-260°C which will not affect the function of the product.
- 3.Lead Free or ROHS Directive labelling to be provided as per GS-14-920 for Lead Free version.

NOTES:
 1. ALL WIRES MUST BE CONTAINED IN THE SHELF.

spec ref	dr	P-Mathew Nebu	2011/05/26	projection	mm	size	A2	scale	3:1	
tolerance std	eng	P-Mathew Nebu	2012/08/30	chr	-	ecn no	ELX-012613-1			
TOLERANCES UNLESS OTHERWISE SPECIFIED				appr	K-Paul Biju	2012/08/30	product family	MODJACK	rel level	Released
surface	linear	0.X	±0.3	FCI	8 POL SHALLOW LATCH CONNECTOR	cat. no.	54602	Product - Customer Drw	sheet 1 of 1	
		0.XX	±0.15							
		0.XXX	±0.05							
angular	0°	±1°	www.fci.com	title	PCB MODJACK	dwg no	C-BMJ-0102	rev	J	

PDS: Rev :J

STATUS:Released

Printed: Aug 31, 2012

Copyright FCI.